

# System Level Design Application For Redundant Power Supply

## Various Industrial DC Requirements



### DC Voltage Output

48V or -48V  
24V or -24V  
12V or -12V  
5V or -5V



Remote Monitoring



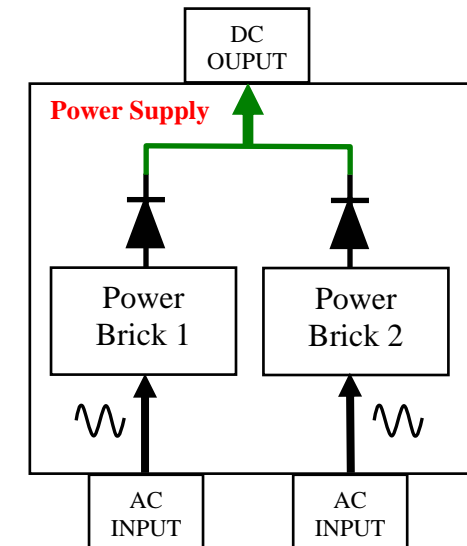
Backup AC Power Generator



Utility Company AC Power

## System Level Design Highlights

- Complete TRUE redundancy with 2 independent IEC AC inlets, one for each internal power brick
- NO DC power disruption worries with parallel power brick configuration
- Connecting one AC inlet to a dormant backup power generator gives new meaning to backup power supply system
- Remote Monitoring for DC Voltage
- Rugged 19" rackmount chassis



Internal Design Block Diagram  
OPR Series Redundant Power Supply